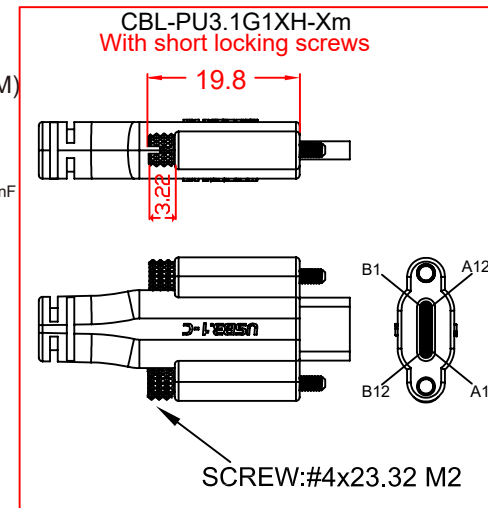
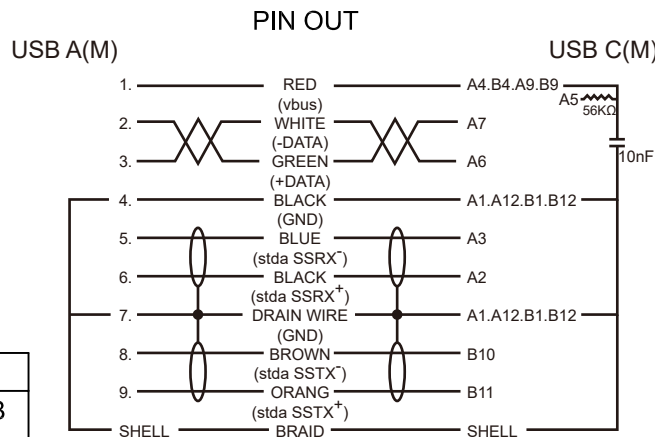


Operating Temperature: 0°C~70°C  
 Operating Humidity: 20%~80% (no condensation)  
 Storage Temperature: -25°C~85°C  
 Storage Humidity: 20%~80% (no condensation)

L:

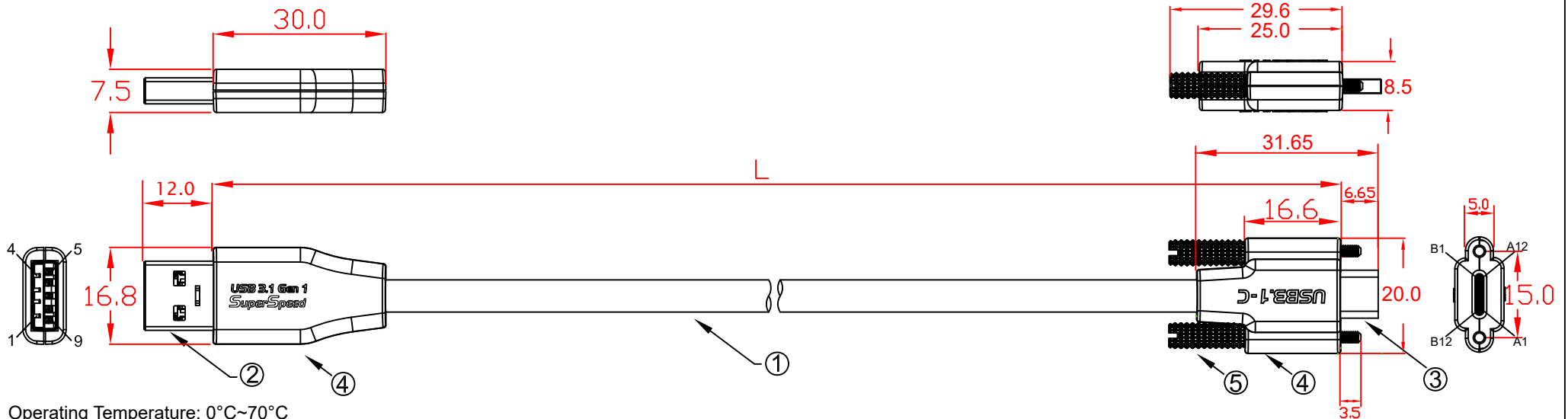
CBL-PU3.1G1XS-1m	1000mm±10mm
CBL-PU3.1G1XS-2m	2000mm±20mm
CBL-PU3.1G1XS-3m	3000mm±20mm
CBL-PU3.1G1XS-4m	4000mm±30mm
CBL-PU3.1G1XS-5m	5000mm±30mm



No	MATERIALS LIST:
1.	CABLE:UL2725 (28AWG*1PR+D+AM)x2C+28AWG*1PR+24AWG*1C+AM+B OD:5.6mm PVC JACKET COLOR:BLACK
2.	CONNECTOR:USB 3.0 A/M, 9P, BLUE INSULATOR SOLDER TYPE, NICKEL PLATED SHELL
3.	CONNECTOR:USB 3.1 TYPE-C, MALE, NICKEL PLATED SHELL
4.	PVC MOLDED HOUSING, BLACK COLOR
5.	SCREW:#4x33 M2

Jargy part no.	Client part no.	Approved	SCALE	UNIT
CBL-PU3.1G1XS-Xm				mm
Drawing Name		Drawn	Date	REV.
USB 3.1 GEN 1 A to C M/M				1.0

**Mobile Computing** **JARGY**

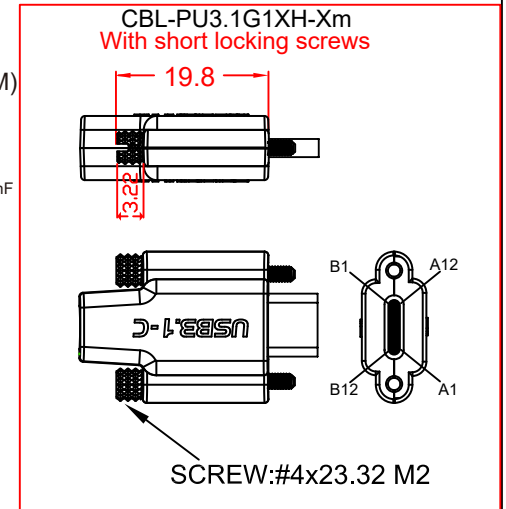
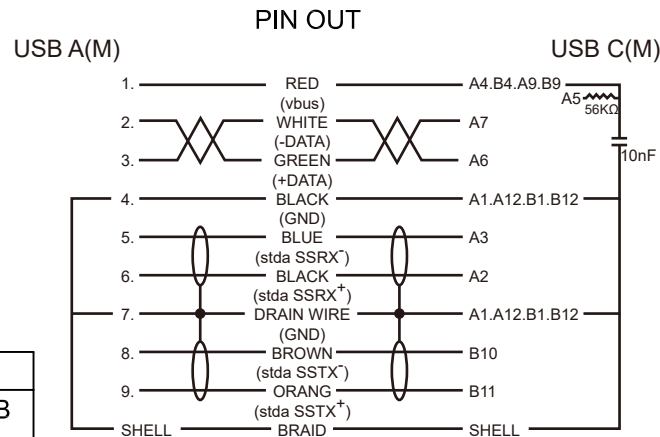


Operating Temperature: 0°C~70°C  
 Operating Humidity: 20%~80% (no condensation)  
 Storage Temperature: -25°C~85°C  
 Storage Humidity: 20%~80% (no condensation)

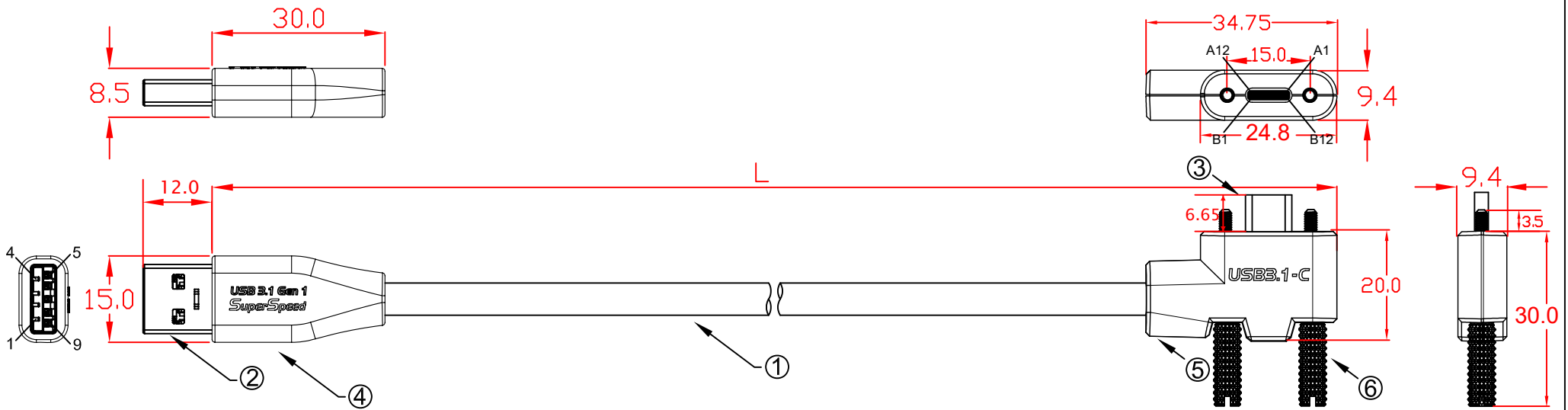
L:

CBL-PU3.1G1XS-1m	1000mm±10mm
CBL-PU3.1G1XS-2m	2000mm±20mm
CBL-PU3.1G1XS-3m	3000mm±20mm
CBL-PU3.1G1XS-4m	4000mm±20mm
CBL-PU3.1G1XS-5m	5000mm±20mm

No	MATERIALS LIST:
1.	CABLE:UL2725 (28AWG*1PR+D+AM)x2C+28AWG*1PR+24AWG*1C+AM+B OD:5.6mm PVC JACKET COLOR:BLACK
2.	CONNECTOR:USB 3.0 A/M, 9P, BLUE INSULATOR SOLDER TYPE, NICKEL PLATED SHELL
3.	CONNECTOR:USB 3.1 TYPE-C, MALE, NICKEL PLATED SHELL
4.	ABS HOUSING, BLACK COLOR
5.	SCREW:#4x33 M2



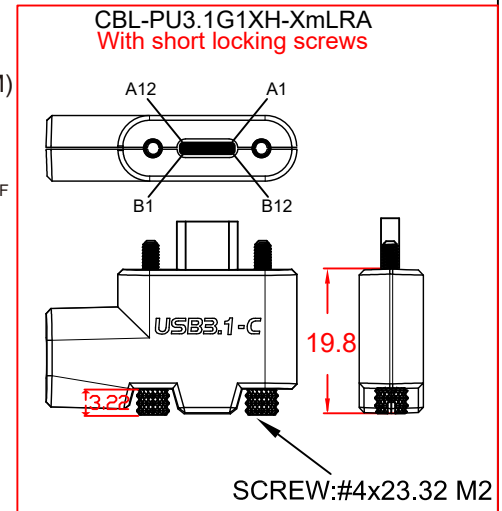
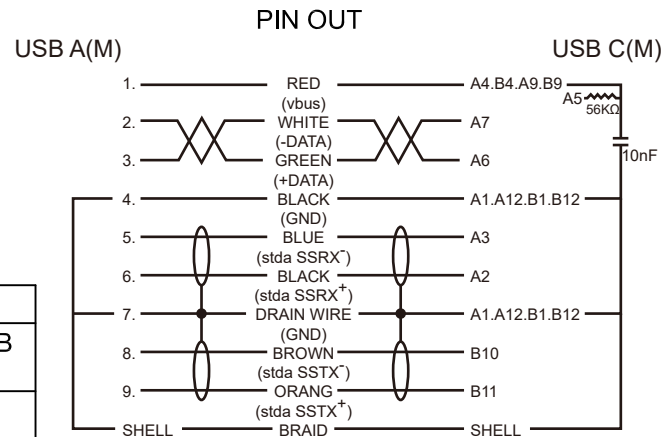
Jargy part no.	Client part no.	Approved	SCALE	UNIT
CBL-PU3.1G1XS-Xm				mm
Drawing Name		Drawn	Date	REV.
USB 3.1 GEN 1 A to C MM				1.0



Operating Temperature: 0°C~70°C  
 Operating Humidity: 20%~80% (no condensation)  
 Storage Temperature: -25°C~85°C  
 Storage Humidity: 20%~80% (no condensation)

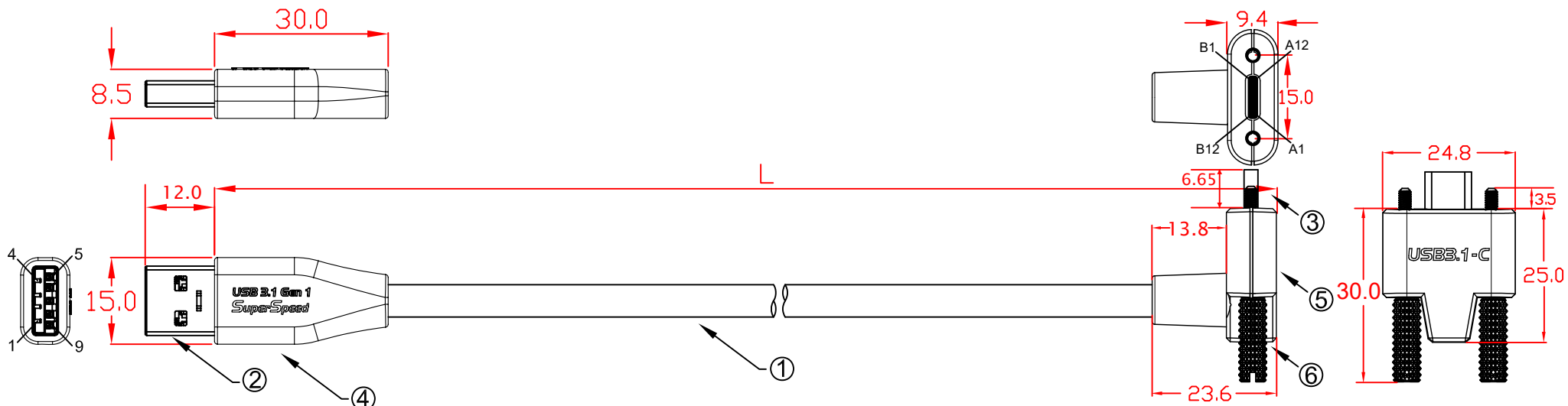
L:

CBL-PU3.1G1XS-1mLRA	1000mm±10mm
CBL-PU3.1G1XS-2mLRA	2000mm±20mm
CBL-PU3.1G1XS-3mLRA	3000mm±20mm
CBL-PU3.1G1XS-4mLRA	4000mm±30mm
CBL-PU3.1G1XS-5mLRA	5000mm±30mm



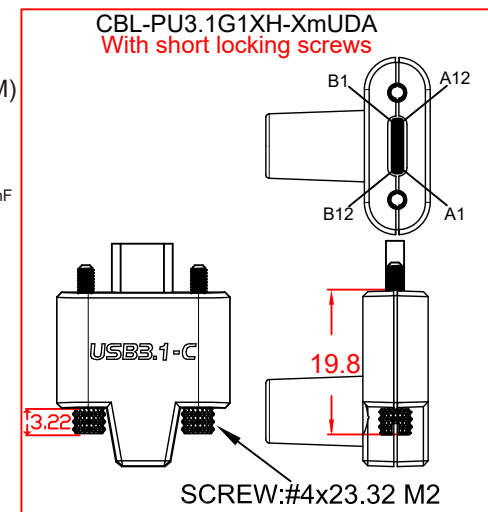
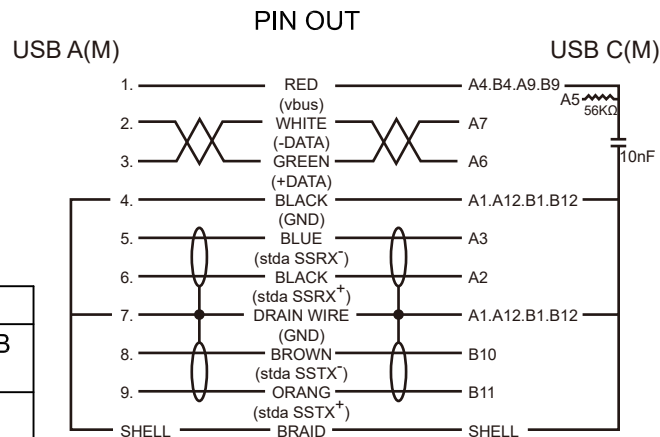
No	MATERIALS LIST:
1.	CABLE:UL2725 (28AWG*1PR+D+AM)x2C+28AWG*1PR+24AWG*1C+AM+B OD:5.6mm PVC JACKET COLOR:BLACK
2.	CONNECTOR:USB 3.0 A/M, 9P, BLUE INSULATOR SOLDER TYPE, NICKEL PLATED SHELL
3.	CONNECTOR:USB 3.1 TYPE-C, MALE, NICKEL PLATED SHELL
4.	PVC MOLDED HOUSING, BLACK COLOR
5.	ABS HOUSING, BLACK COLOR
6.	SCREW:#4x33 M2

Jargy part no.	Client part no.	Approved	SCALE	UNIT
CBL-PU3.1G1XS-XmLRA				mm
Drawing Name		Drawn	Date	REV.
USB 3.1 GEN 1 A to C M/M				1.0



Operating Temperature: 0°C~70°C  
 Operating Humidity: 20%~80% (no condensation)  
 Storage Temperature: -25°C~85°C  
 Storage Humidity: 20%~80% (no condensation)

- L:  
 CBL-PU3.1G1XS-1mUDA 1000mm±10mm  
 CBL-PU3.1G1XS-2mUDA 2000mm±20mm  
 CBL-PU3.1G1XS-3mUDA 3000mm±20mm  
 CBL-PU3.1G1XS-4mUDA 4000mm±30mm  
 CBL-PU3.1G1XS-5mUDA 5000mm±30mm



No	MATERIALS LIST:
1.	CABLE:UL2725 (28AWG*1PR+D+AM)x2C+28AWG*1PR+24AWG*1C+AM+B OD:5.6mm PVC JACKET COLOR:BLACK
2.	CONNECTOR:USB 3.0 A/M, 9P, BLUE INSULATOR SOLDER TYPE, NICKEL PLATED SHELL
3.	CONNECTOR:USB 3.1 TYPE-C, MALE, NICKEL PLATED SHELL
4.	PVC MOLDED HOUSING, BLACK COLOR
5.	ABS HOUSING, BLACK COLOR
6.	SCREW:#4x33 M2

Jargy part no.	Client part no.	Approved	SCALE	UNIT
CBL-PU3.1G1XS-XmUDA				mm
Drawing Name		Drawn	Date	REV.
USB 3.1 GEN 1 A to C M/M				1.0